



A Pentair Company

Electrical Interlock

Hoffman Enclosures Inc.

2100 Hoffman Way
Anoka, MN 55303-1745
(763) 422-2211
www.hoffmanonline.com

Pentair Electronic Packaging

170 Commerce Drive
Warwick, RI 02886
(401) 732-3770
www.pentair-ep.com

Mexico

Pentair Enclosures, S. de R.L. de C.V.
Federico T. de la Chica No. 8 Piso 4 A
Circulo Comercial Plaza Satélite
Ciudad Satélite,
Naucalpan, México C.P. 53100
011-52-55-5393-8263

Canada

Hoffman-Schroff
111 Grangeway Avenue, Suite 504
Scarborough, Ontario M1H 3E9
(416) 289-2770
1-800-668-2500 (Canada only)

Germany

Schroff GmbH
Langenlauer Str. 96-100
75334 Straubenhardt
49 (07082) 794-0 www.schroff.de

Great Britain

Schroff UK Ltd.
Maylands Avenue
Hemel Hempstead, Herts HP2 7DE
44 (01442) 240471 www.schroff.co.uk

Sweden

Schroff Scandinavia AB
Box 2003
12821 Skarpnäck
46 08683 61 00 www.schroff.se

France

Schroff Sas
Z.I., 4 rue du Marais
67860 Betschdorf
33 03 88 90 64 90 www.schroff.fr

Italy

Schroff srl
Viale Milano, 119
21013 Gallarate (Varese)
39 0331 79 40 03

Singapore

Hoffman-Schroff Pte. Ltd.
#01-68/71 German Centre
25 International Business Park
Singapore 609916
65 5 62-78 90

Japan

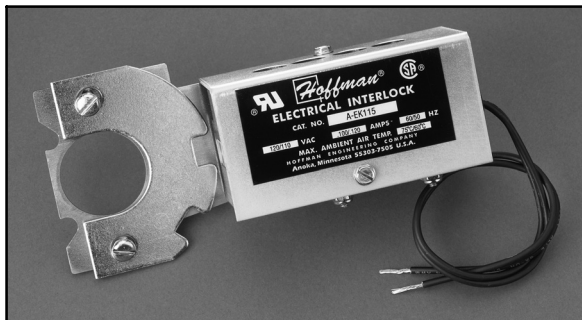
Schroff K.K.
Nisso No. 13 Bldg. 4F
2-5-1 Shinyokohama
Kohoku-Ku, Yokohama shi
Kanagawa 222-0033
81 (045) 476-02 81

Finland

Schroff Scandinavia AB
Päräsimentie 9
03100 Nummela
358 09 222 68 00

Norway

Schroff Scandinavia AB
Bjoernerudveien 24
1266 Oslo
47 022 76 33 60
Rev. B 113357



⚠ WARNING

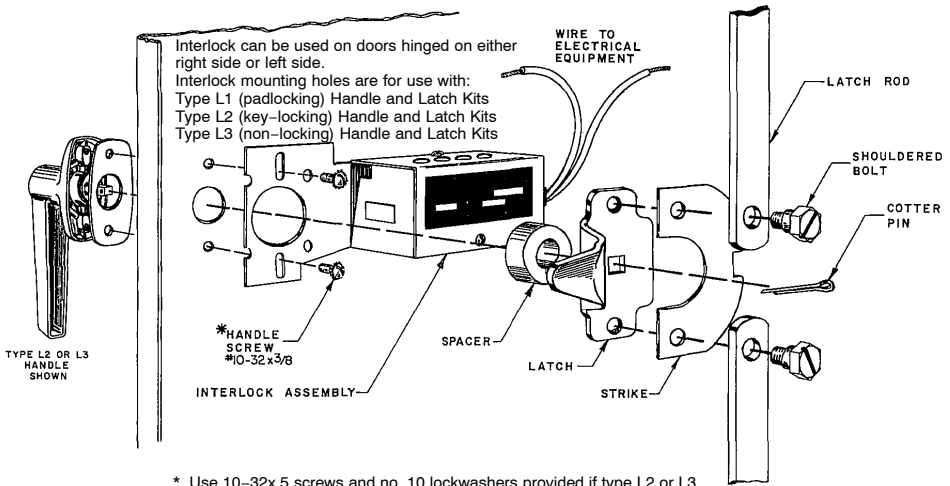
To avoid electric shock, do not energize any circuits before all internal and external electrical and mechanical clearances are checked to assure that all assembled equipment functions safely and properly.

INSTALLATION INSTRUCTION:

1. Remove cotter pin, shoulder bolts, latch rods, latch and spacer.
2. Remove handle shown by removing two screws. To remove padlocking handle (not shown), remove three hex nuts, lockwashers, and latch rod stop.
3. Place interlock assembly in location and tighten handle screws. Assemble the remaining parts as shown.

For padlocking handle (not shown), place interlock assembly on door first. Then place latch rod stop over interlock and fasten with three screws, nuts, and lockwashers. (Reference padlocking handle installation instruction, P/N 87551150) Assemble remainder of parts as shown.

4. Wire electrical interlock. Models AEK115, AEK230, AEK460 must be wired so energized interlock will prevent door handle from being turned to open door.



* Use 10-32x.5 screws and no. 10 lockwashers provided if type L2 or L3 handle is installed on a 12 or 10 gauge door (.109-.140 inch thickness).

THE FOLLOWING PARTS ARE PACKAGED IN THIS KIT:

- 1- INTERLOCK ASSEMBLY
- 1- STRIKE

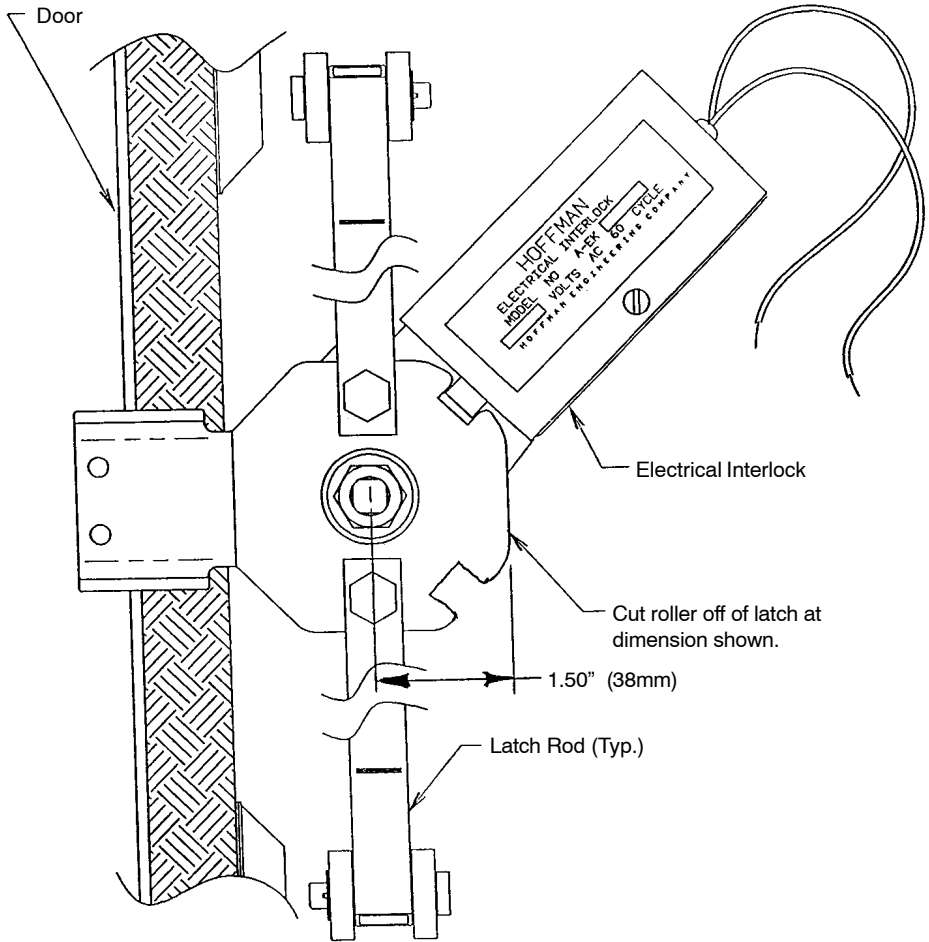
ALL OTHER PARTS ARE INCLUDED WITH ENCLOSURES OR OPTIONAL LATCH KIT

CATALOG NO.	VOLTS/CYCLES
AEK115	115 v / 60c
AEK230	230 v / 60c
AEK460	460v / 60c

Modifications Instructions

(Enclosure Doors Hinged on Left Only)

Required modifications for installing AEK115, AEK230, and AEK460 electrical interlocks in product bulletins A21, A28MM, A28M1, A28M2, A34Y, and A34 enclosures.

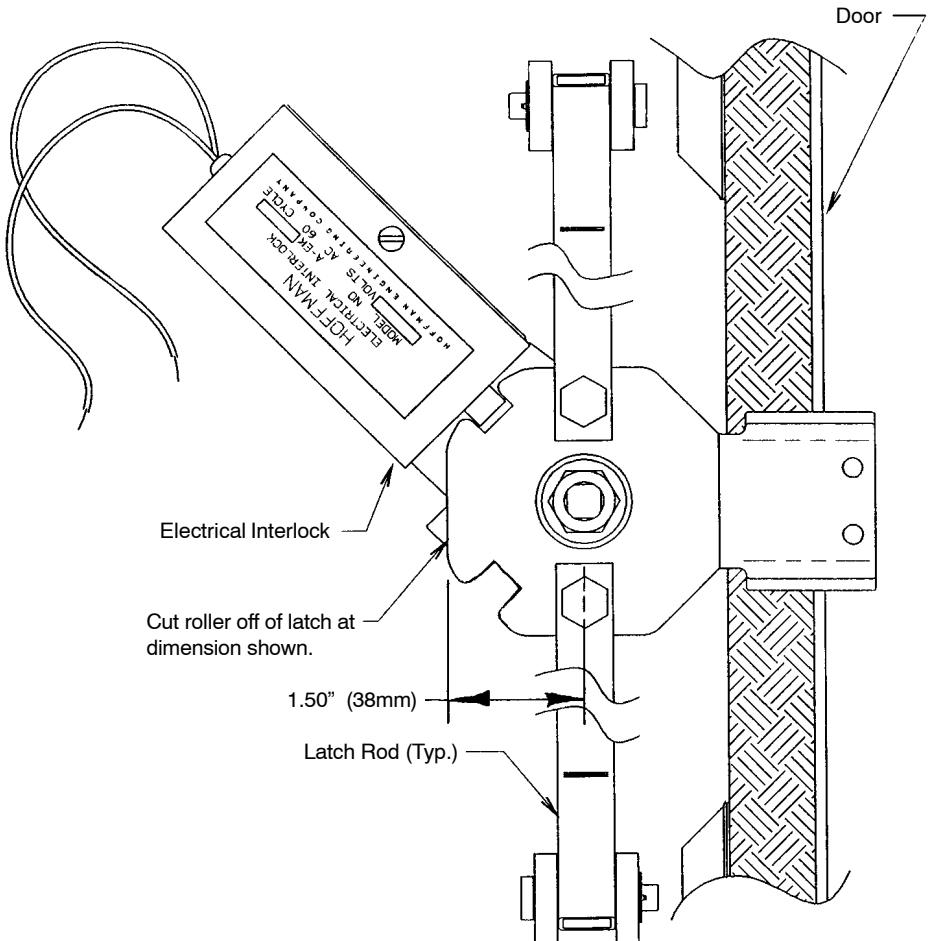


Note: View from inside of door – assemble as shown.

Modifications Instructions

(Enclosure Doors Hinged on Right Only)

Required modifications for installing AEK115, AEK230, and AEK460 electrical interlocks in product bulletins A21, A28MM, A28M1, A28M2, A34Y, and A34 enclosures.



Note: View from inside of door – assemble as shown.